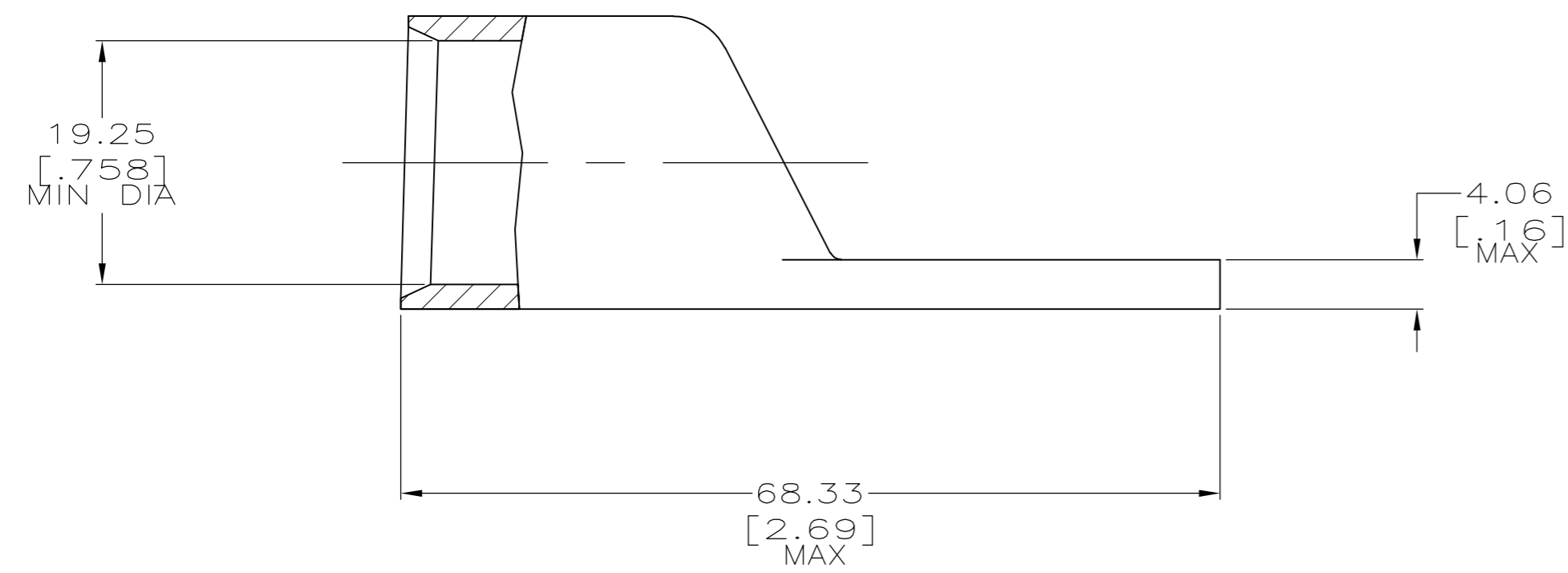
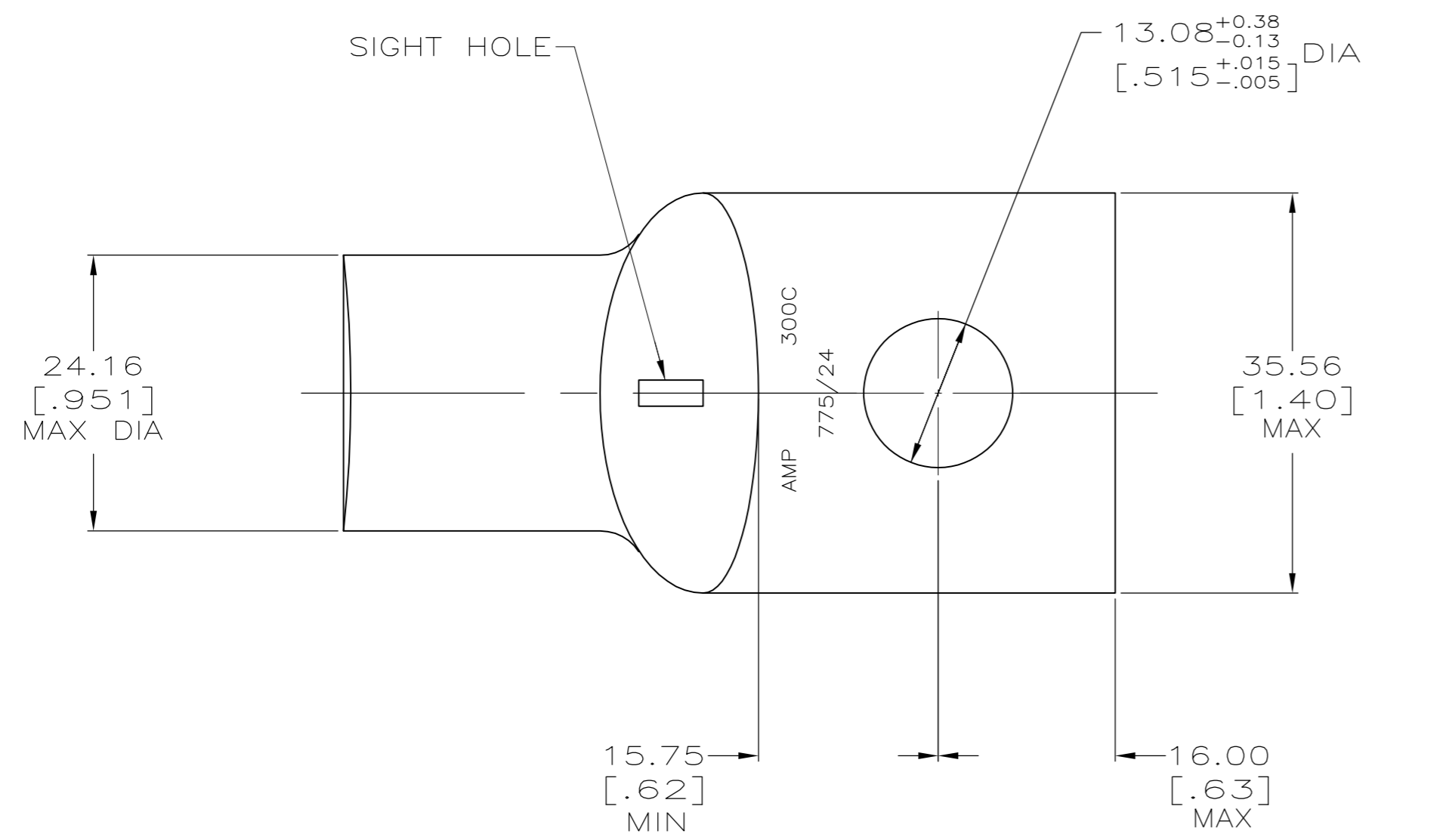


THIS DRAWING IS UNPUBLISHED. RELEASED FOR PUBLICATION
 © COPYRIGHT BY TYCO ELECTRONICS CORPORATION. ALL INTERNATIONAL RIGHTS RESERVED.

LOC	DIST	REVISIONS					
		P	LTR	DESCRIPTION	DATE	DWN	APVD
G	86		Z	REV PER ECR 05-012008	09JUN08	JR	MS



- 1 CIRCULAR MIL AREA RANGE: 275-325 MCM
- 2 TIN PL 0.00381[.000150] MIN THK PER ASTM B-545
- 3 NO SIGHT HOLE
- 4 STAMP FOR MANUFACTURING LOCATION PERMISSIBLE.

3 4 325805-1
 325805
 PART NO.

THIS DRAWING IS A CONTROLLED DOCUMENT.		DWN DK SCHRUM 02/28/90	Tyco Electronics Corporation Harrisburg, PA 17105-3608	
DIMENSIONS: MM [INCHES]		CHK MS FEHER 23JAN95	NAME TERMINAL, AMPPOWER, WIRE SIZE: 300 MCM	
TOLERANCES UNLESS OTHERWISE SPECIFIED:		APVD TL SHUTTER 23JAN95	PRODUCT SPEC 108-30200	RESTRICTED TO -
0 PLC ± - 1 PLC ± - 2 PLC ± 0.51[.020] 3 PLC ± - 4 PLC ± - ANGLES ± -		APPLICATION SPEC -	SIZE A2	CAGE CODE 00779
MATERIAL ANNEALED COPPER PER ASTM B-75	FINISH 2	WEIGHT .154 LB	DRAWING NO C=325805	SCALE 2:1
CUSTOMER DRAWING			SHEET 1 of 1	REV Z

325805

A